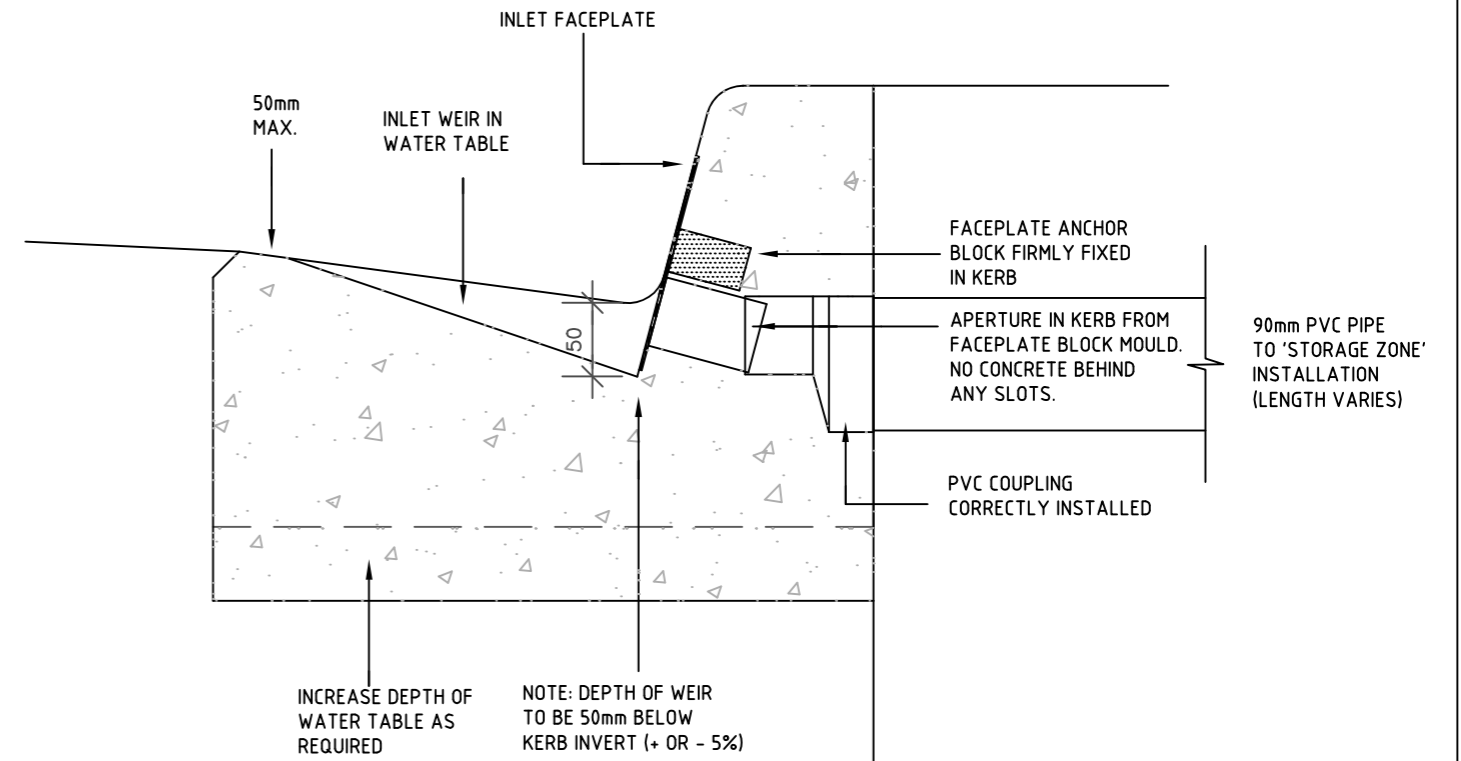
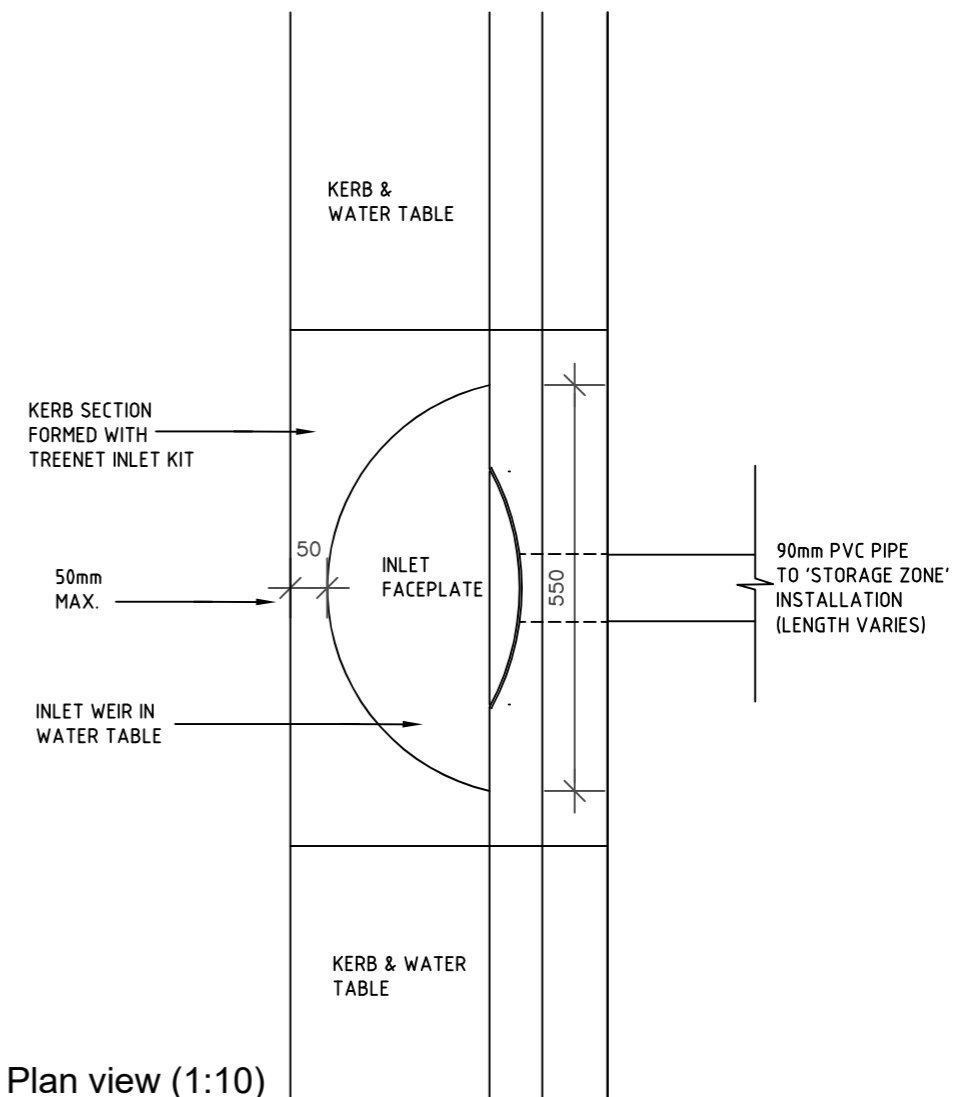


Treenet R750 SDU kerb inlet Front view



Treenet R750 SDU kerb inlet Section view



Treenet R750 SDU kerb inlet Plan view (1:10)



David Lawry OAM  
Director Space Down Under  
E: david@spacedownunder.com.au  
M: 0418 806 803  
www.spacedownunder.com.au

Installation detail R750<sup>®</sup> SDU Capture Zone

SCALE 1:5@A3  
DATE 23/09/19  
DWG NO R750T270

Drawn by Dr Martin Ely AILA